



Designation: G174 – 22

Standard Test Method for Measuring Abrasion Resistance of Materials by Abrasive Loop Contact¹

This standard is issued under the fixed designation G174; the number immediately following the designation indicates the year of original adoption or, in the case of revision, the year of last revision. A number in parentheses indicates the year of last reapproval. A superscript epsilon (ϵ) indicates an editorial change since the last revision or reapproval.

1. Scope

1.1 This test method covers ranking rigid engineering materials for abrasion resistance in rubbing against aluminum oxide abrasive finishing tape. Though most solids can be tested, this test method addresses its use for metals, and coatings applied to metals.

1.2 The values stated in SI units are to be regarded as standard. No other units of measurement are included in this standard.

1.3 *This standard does not purport to address all of the safety concerns, if any, associated with its use. It is the responsibility of the user of this standard to establish appropriate safety, health, and environmental practices and determine the applicability of regulatory limitations prior to use.*

1.4 *This international standard was developed in accordance with internationally recognized principles on standardization established in the Decision on Principles for the Development of International Standards, Guides and Recommendations issued by the World Trade Organization Technical Barriers to Trade (TBT) Committee.*

2. Referenced Documents

2.1 *ASTM Standards:*²

[E177 Practice for Use of the Terms Precision and Bias in ASTM Test Methods](#)

[E178 Practice for Dealing With Outlying Observations](#)

[E691 Practice for Conducting an Interlaboratory Study to Determine the Precision of a Test Method](#)

[G40 Terminology Relating to Wear and Erosion](#)

[G117 Guide for Calculating and Reporting Measures of Precision Using Data from Interlaboratory Wear or Ero-](#)

[sion Tests \(Withdrawn 2016\)](#)³

[G132 Test Method for Pin Abrasion Testing](#)

3. Terminology

3.1 *Definitions from Terminology G40:*

3.1.1 *abrasive wear, n*—wear due to hard particles or hard protuberances forced against, and moving along, a solid surface.

3.2 *Definitions of Terms Specific to This Standard:*

3.2.1 *abrasion resistance, n*—in tribology, the ability of a material to resist damage or attrition by abrasion.

3.2.2 *fixed abrasive tape, n*—hard particles or grains bonded (fixed) to one side of a flexible web with a resin or similar binder. The particles can be of any hard material and vary in size. (This abrasive medium is also known as “finishing tape,” “microfinishing tape,” “microfinishing film,” or “finishing film.”)

3.2.3 *flexible web, n*—plastic, paper, rubber, or other material that is thin enough to conform to a 180° wrap around a 16 mm diameter cylinder under a tension of less than 1.8 kg/cm width.

3.2.4 *pass, n*—abrasion distance equivalent to one circumference of the abrading loop.

4. Summary of Test Method

4.1 This test involves rubbing an abrasive tape loop initially in line-contact with a solid surface. The tape abrasion produces a groove in the test surface, and the volume of material removed in a designated amount of abrasive rubbing is measured by mass loss or by calculation from the groove geometry. The continuous loop of abrasive is used for a specified number of passes and then discarded.

4.2 The wear volume produced in this test provides a measure of the ability of a surface to resist wear damage from abrasive substances. The smaller the wear volume in this test, the better the abrasion resistance.

¹ This test method is under the jurisdiction of ASTM Committee G02 on Wear and Erosion and is the direct responsibility of Subcommittee G02.30 on Abrasive Wear.

Current edition approved Nov. 1, 2022. Published December 2022. Originally approved in 2003. Last previous edition approved in 2017 as G174 – 04 (2017). DOI: 10.1520/G0174-22.

² For referenced ASTM standards, visit the ASTM website, www.astm.org, or contact ASTM Customer Service at service@astm.org. For *Annual Book of ASTM Standards* volume information, refer to the standard’s Document Summary page on the ASTM website.

³ The last approved version of this historical standard is referenced on www.astm.org.

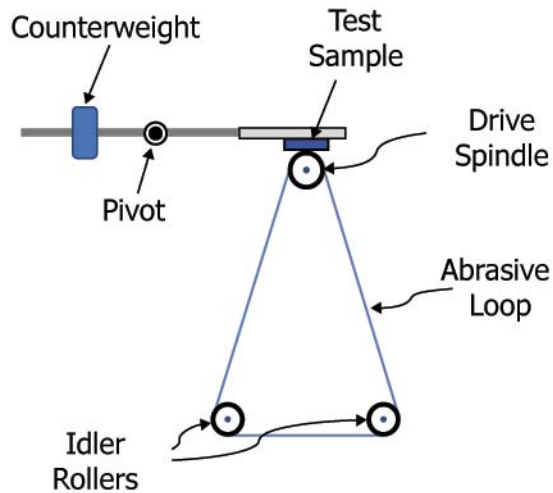


FIG. 1 Photo and Schematic of Test Apparatus

4.3 The test was developed using 30 μm mean diameter aluminum oxide abrasive on a 127 μm thick polyester support, but other commercially available abrasive tapes could be used. The test has also been used with webs such as paper that are inherently abrasive to many materials.

5. Significance and Use

5.1 This test is useful for screening materials for use in tools that are subjected to abrasion from the material that is being machined, worked, or formed. It has been used to screen tool steels for punch press dies, hard-facings for earth-moving machinery, and wear coatings. This test apparatus is simpler to build and use than those used in the Test Method G132 abrasion test which, like this test, uses a fixed abrasive counterface to abrade a test material.

5.2 The one-hour test is intended for metals and materials that are softer than hardened steel (67 HRC), but may be applied to harder materials.

6. Apparatus

6.1 The test apparatus used in interlaboratory tests is illustrated in Fig. 1. A 132 cm long by 25.4 mm wide abrasive tape is made into a continuous loop with a pressure-sensitive adhesive (PSA) butt splice (Fig. 2). The web is tensioned to conform to the 16 mm diameter drive spindle for at least 90 degrees of radial spindle contact. The idler rolls can be of any diameter, but a convenient size is about 50 mm radius with flanges to prevent lateral movement of the tape. The test sample shall have the dimensions shown in Fig. 3. It is clamped or attached to the counterbalanced loading arm with PSA foam or mechanical means. The loading arm is pivoted on rolling element bearings. A loading mass, as specified in Table X1.2, is attached to the pivot arm and centered directly over the line contact between the specimen and drive spindle.

6.2 One idler roller must be adjustable to produce tape tension sufficient to drive the tape with spindle-to-tape slippage of less than 20 m in a one-hour test time. The drive spindle

shall be 16 mm in diameter and have a total indicated run-out of less than 20 μm at a rotational speed of 300 rpm.

7. Test Procedure

7.1 Standard Test for Metals Softer than 67 HRC:

7.1.1 *Specimen Preparation*—The test surfaces should have a ground or lapped finish with a roughness less than 0.2 μm Ra. The surface lay shall be aligned with the long axis of the test specimen. When testing molded surfaces or specific finishes, the test samples should have the finish of interest on the test faces.

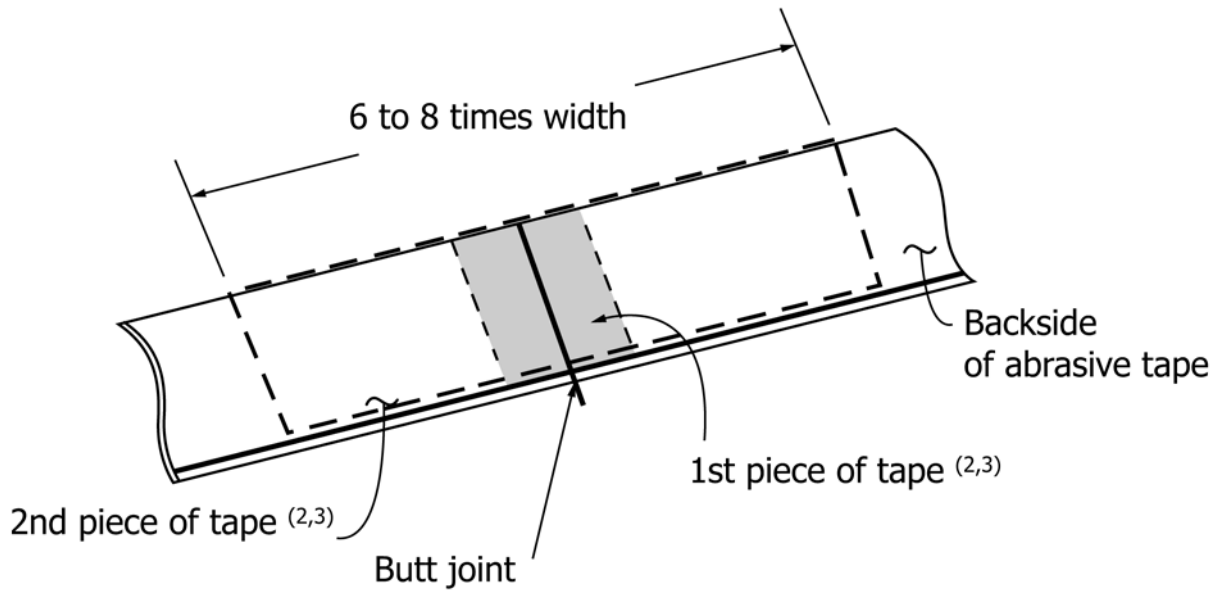
7.1.2 *Cleaning*—Cleaning is not needed if the test surfaces are untouched after the sample preparation and no lubricants, and so forth, were used in fabrication. If the surfaces are contaminated, clean in a solvent that will not leave a surface film or degrade the properties of the test surface (acetone is suitable for most metals).

7.1.3 *Weighing*—If mass change is going to be used as the test metric, weigh the test specimen to the nearest tenth of a milligram and record this as the initial weight.

7.1.4 *Sample Attachment*—Affix the test sample to loading arm and the 200 g loading mass over the line where the specimen has tangential contact with the tape.

7.1.5 *Belt Tensioning*—Tension the abrasive belt over the drive spindle and idler rollers by moving idler rollers. Check the loop for slip with a mark on the tape and spindle.

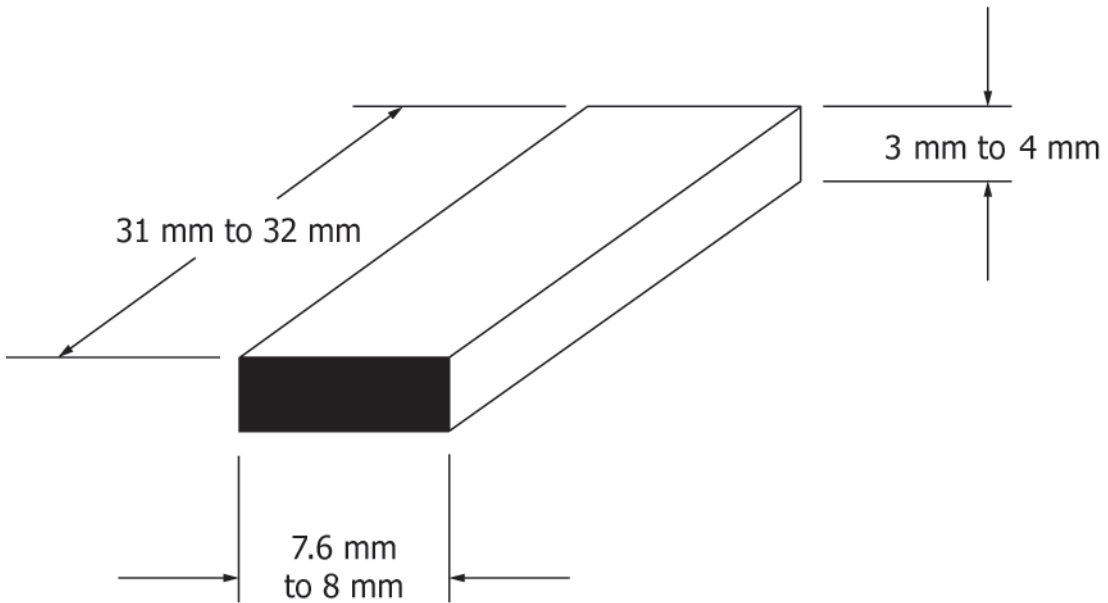
7.1.6 *Check Systems Alignment*—Tapered scars will result if the sample test surface is not parallel to the drive spindle. Check alignment by putting pressure-sensing media on the spindle and bringing the specimen in contact with the spindle. The pressure-sensing medium must show line contact across the sample width. Thin foils (less than 25 μm) can also be used to make sure that both edges of the test sample are contacting the spindles. Put the foil between the spindle and the edge of the sample and pull the foil out. Repeat on the other side. Equal pull force on both sides shows good alignment and can be measured with a force-measuring device. Lock the aligned sample arm in place. Put the loop on and tension it as in 7.1.5.



- 1—127 μm thick microfinishing film was used in interlaboratory tests. It was purchased at:
 3M Corporation
 Imperial Lapping Film 262L
 Grade 30 MIC, Mineral A/O
 Backing 127 μm Size 25.4 mm wide, roll length is a purchasing option
- 2—Scotch Magic Tape (3M Corp.) was used in interlaboratory tests
- 3—3M Corp.
 3M Center, Building 251-2A-08
 St. Paul, MN 55144-1000 USA

NOTE 1—Some tapes may have a release agent or traction coating on the back that must be removed by abrasion followed by solvent wipe.

FIG. 2 Loop Splicing Detail



NOTE 1—0.1 μm to 0.2 μm Ra surface roughness on test surface.

FIG. 3 Loop Abrasion Test Sample

Turn the tester on for 5 s to 10 s and lift the sample arm and check for a uniform wear scar across the sample width. Adjust contact if needed.

7.1.7 *Testing*—Set the spindle rotational speed to 300 rpm and turn the tester on. Start timing or set a time on the machine power to shut off after the designated number of loop passes.

NOTE 1—Some cemented carbides and other hard materials may require a longer time to develop a measurable wear scar. Sometimes these materials require several 760-pass test cycles with the tape changed each hour. This is a non-standard test and is not covered by this method.